

# Hydro-pneumatic / Hydraulic Accumulator, Pump Controller, stand-by fluid power – RFQ

Form for submitting your application requirement to accumulate hydraulic volume, control pump systems, & an energy saving, quotation for hardware from:


[www.hydrotrole.co.uk](http://www.hydrotrole.co.uk), & [Accumulators-hyd.com](http://Accumulators-hyd.com)


## HydroTrole Volume Indicating pump control special purpose accumulators for 40 years


For fastest response, please print this form, fill out hardcopy, and fax to USA 910-270-0320 or international --44(0)161-480-9627

### A. Contact Information

REQUIRED FIELDS ARE DENOTED BY AN ASTERISK \*

 Company  \*

 Contact Name  \*

 Position

 Telephone Number  \*

 Fax Number  \*

 Email Address



we do not offer glued gas bag type  
Click for 16 Sources

### Physical Address

Street / Box Number  \*

Additional Info.

Town / City Name  \*

State / Province, Etc.  \*

Postal / Zip Code  \*

Country  \*

### B. Hydraulic Fluid

\*

Flow Rate  LPM \*

Operating Pressure "MAWP"  Bar \*

Operating Temperature  C

System R.V. Set Pressure  C \*

Contaminants (max micron & type)

Frequency (Hz) Cycles per Second

Minimum Design Metal Temp. MDMT  C \*

Design Temperature  C \*

Viscosity  cP

### C) System Information

i. Maximum Pressure to which the accumulator can be filled before relief valve opens.  Bar \*

ii. Minimum useful pressure at end of volume out-flow cycle.  Bar \*

iii. Volume to be stored between i. & ii. above.  L \*

### Compatible Materials

Liquid Wetted Metal Parts  \*

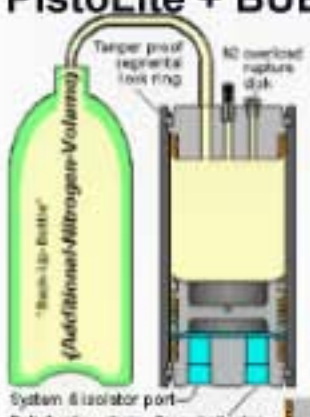
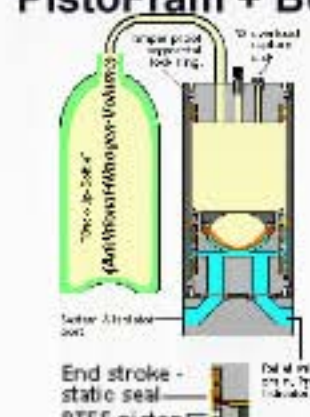
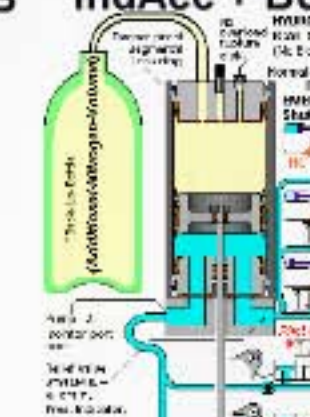
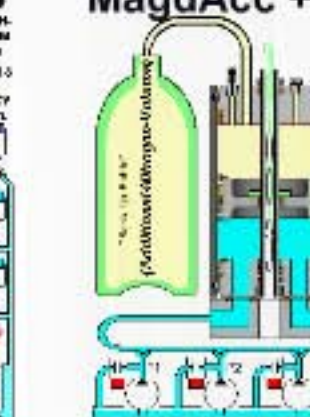
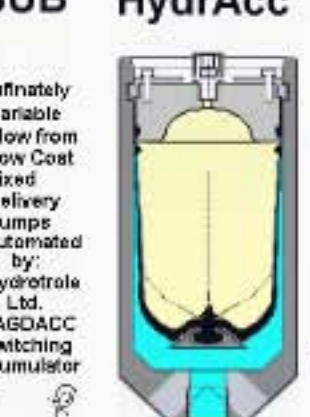
Liquid Wetted Elastomer Parts (Synthetic Rubber)  \*

Externals

Preferred Outer Housing Paint or Coating Spec.

Connection Size  BSP \*

Connection Type

<p><b>1 Volume Storage</b> PistoLite + BUB</p>  <p>CLICK TO SEE IT RUN</p>	<p><b>2 Storage + Response</b> PistoFram + BUB</p>  <p>CLICK TO SEE IT RUN</p>	<p><b>3 Mechanical Control</b> IndAcc + BUB</p>  <p>CLICK TO SEE IT RUN</p>	<p><b>4 Electric Control</b> MagdAcc + BUB</p>  <p>CLICK TO SEE IT RUN</p>	<p><b>5 Gas Bag "Bladder" Leakage Compensation</b> HydrAcc</p>  <p>CLICK TO SEE IT RUN</p> <p>The Original, from the 1965 originators. One Piece Molded Top end reservable Stabilized anti-extrusion plate. High flow rate. Minimal Delta P. Stainless - from stock</p>
--	---	---	---	--

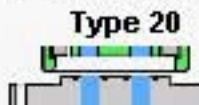


State 1, 2, 3, 4, 5, ( or 6 = Other ) \*

### D) Advance Accumulator type preference in your hydraulic application.

 <p>Max Pre-Fill retention Max Flow rate</p> <p>Click To Magnify</p> <p><b>Pistolite</b> Designation: "PiL"</p>	 <p>Instant response. + high frequency.</p> <p>Click To Magnify</p> <p><b>PistoFram</b> "PiF"</p>	 <p>Volume indicating Hazard class.</p> <p>Click To Magnify</p> <p><b>IndAcc</b> "InD"</p>	 <p>Control by "mag-switches"</p> <p>Click To Magnify</p> <p><b>MagdAcc</b> "MaG"</p>	 <p>Best elastomers no glue, no poppets.</p> <p>Click To Magnify</p> <p><b>HydrAcc</b> "HaC"</p>
---	--	---	--	---

Please enter the Type Designation for your choice of advanced accumulator

**SUB-BASE MOUNTING BLOCK PORTING ORIENTATIONS**

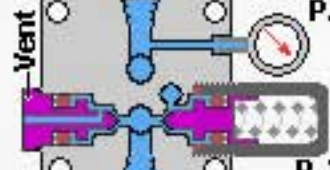
**Type 20**  **Type 15**  **Type 12** 

**Sub-BaseType**

**Block Options**

**Sign**

**Safety Block Options**

**P.I.**  **R.V.** 